

# Lightology

lightology.com  
866-954-4489  
06-30-26

Project: \_\_\_\_\_

Company: \_\_\_\_\_

Location: \_\_\_\_\_ Fixture Type: \_\_\_\_\_

SPEC #: **BFR1167723**

Approved On: \_\_\_\_\_ Approved By: \_\_\_\_\_

## Spate Pendant By Bert Frank

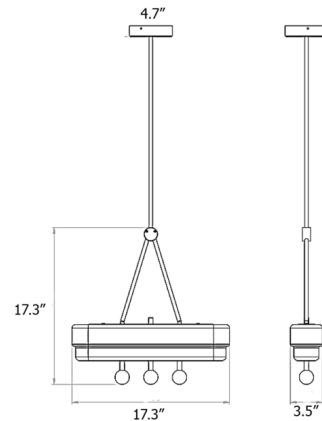


### Description

The Spate Pendant makes references to Art Deco design while exploring contrasting textures and forms. The acid etched glass shade features a stepped design and softly diffuses light from the integrated LED light source. A row of marble spheres attached to brass rods adorns the bottom of the pendant with a decorative accent. Spate's unique look is both opulent and inviting, making it a perfect statement piece. Dimmable with TRIAC dimmers. Overall height to be specified at time of order. Note: Includes a 24V external power supply which requires installation in an accessible remote location.



Shown in green marble / opal



### Specifications

COLOR	Opal
BODY FINISH	Green Marble
WATTAGE	15W
DIMMER	Standard 120V
DIMENSIONS	17.3"W x 17.3"H x 3.5"D
INTEGRATED LED MODULE	1 x LED/15W/120V LED
COUNTRY OF ORIGIN	United Kingdom

### Technical Information

LAMP COLOR	2700K
------------	-------



CLICK TO VIEW PRODUCT

Notes: