

Lightology

lightology.com
866-954-4489
05-25-26

Project: _____
Company: _____
Location: _____ Fixture Type: _____
SPEC #: **BFR1167725**
Approved On: _____ Approved By: _____

Spate Wall Sconce

By Bert Frank



Description

The Spate Wall Sconce makes references to Art Deco design while exploring contrasting textures and forms. The acid etched glass shade features a stepped design and softly diffuses light from the integrated LED light source. A row of marble spheres attached to brass rods adorns the bottom of the sconce with a decorative accent. Spate's unique look is both opulent and inviting, making it a perfect statement piece. Dimmable with TRIAC dimmers. Note: Includes a 24V external power supply which requires installation in an accessible remote location. Note: UL certification is available upon request for an additional charge. Please contact our sales team for assistance.

Specifications

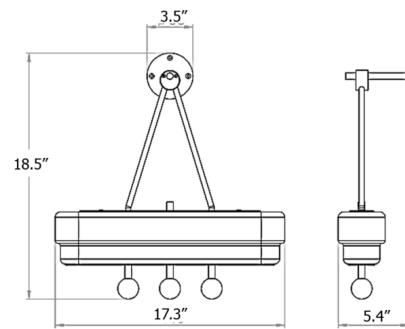
COLOR Opal
BODY FINISH Green Marble
WATTAGE 15.6W
DIMMER Standard 120V
DIMENSIONS 17.34"W x 18.5"H x 5.52"D
INTEGRATED LED MODULE 1 x LED/15.6W/24V LED
COUNTRY OF ORIGIN United Kingdom

Technical Information

COLOR RENDERING 80 CRI
LAMP COLOR 2700K
LUMENS/WATT 92.31
LUMINOUS FLUX 1440 lumens



Shown in green marble / opal



CLICK TO VIEW PRODUCT

Notes: