

# Lightology

lightology.com  
866-954-4489  
06-30-26

Project: \_\_\_\_\_  
 Company: \_\_\_\_\_  
 Location: \_\_\_\_\_ Fixture Type: \_\_\_\_\_  
 SPEC #: **BFR1167726**  
 Approved On: \_\_\_\_\_ Approved By: \_\_\_\_\_

## Spate Wall Sconce By Bert Frank

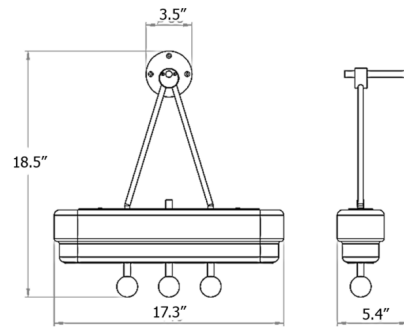


### Description

The Spate Wall Sconce makes references to Art Deco design while exploring contrasting textures and forms. The acid etched glass shade features a stepped design and softly diffuses light from the integrated LED light source. A row of marble spheres attached to brass rods adorns the bottom of the sconce with a decorative accent. Spate's unique look is both opulent and inviting, making it a perfect statement piece. Dimmable with TRIAC dimmers. Note: Includes a 24V external power supply which requires installation in an accessible remote location. Note: UL certification is available upon request for an additional charge. Please contact our sales team for assistance.



Shown in white marble / opal



### Specifications

COLOR	Opal
BODY FINISH	White Marble
WATTAGE	15W
DIMMER	Standard 120V
DIMENSIONS	17.34"W x 18.5"H x 5.52"D
INTEGRATED LED MODULE	1 x LED/15W/120V LED
COUNTRY OF ORIGIN	United Kingdom

### Technical Information

LAMP COLOR	2700K
------------	-------



CLICK TO VIEW PRODUCT

Notes: