

Lightology

lightology.com
866-954-4489
04-26-26

Project: _____

Company: _____

Location: _____ Fixture Type: _____

SPEC #: **BFR1167731**

Approved On: _____ Approved By: _____

Stasis Table Lamp

By Bert Frank

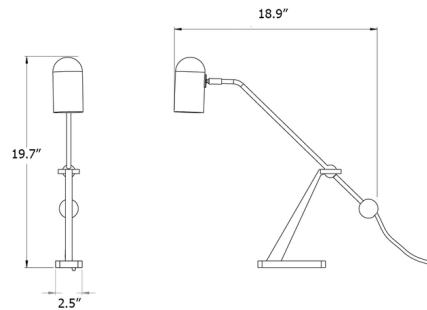


Description

The Stasis Table Lamp combines form and function with a sleek, eye-catching design. The angled, adjustable brass arm is capped by a dome shaped lampshade available in Copper or Bronze finish. The shade can also be tilted to further aim the light precisely where it is needed. On/off switch located on top of lampshade. Note: UL certification is available upon request for an additional charge. Please contact our sales team for assistance.



Shown in brass / bronze



Specifications

COLOR	Bronze
BODY FINISH	Brass
WATTAGE	4W
DIMMER	N/A
DIMENSIONS	19.7"W x 18.9"H x 2.5"D
BULB INCLUDED	1 x JCD/G9/4W/120V LED
COUNTRY OF ORIGIN	United Kingdom

Technical Information

COLOR RENDERING	80 CRI
LAMP COLOR	2700K
LUMENS/WATT	62.50
LUMINOUS FLUX	250 lumens



CLICK TO VIEW PRODUCT

Notes: