

Lightology

lightology.com
866-954-4489
04-24-26

Project: _____

Company: _____

Location: _____ Fixture Type: _____

SPEC #: **BPU1173351**

Approved On: _____ Approved By: _____

D-Shape Strike Plate Kit

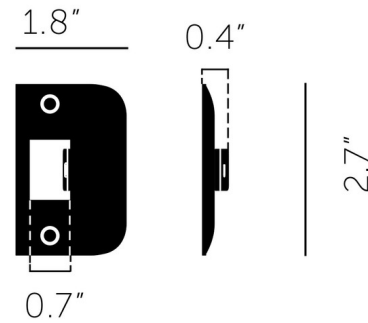
By Buster + Punch

Description

The D-Shape Strike Plate Kit is made of solid metal and designed to be paired with Buster + Punch door hardware and latch accessories. Suitable for internal doors. Fits standard doors. Brass: Made from precision-machined solid brass and finished with two layers of durable satin lacquer. This finish will age slowly, moving from radiant brass to deeper and golden within a few years. Steel: Made from solid stainless steel and refined by hand. Steel is Buster + Punch's most durable finish and will remain the same for years to come.



Shown in brass



Specifications

COLOR	N/A
BODY FINISH	Brass
WATTAGE	N/A
DIMMER	N/A
DIMENSIONS	1.8"W x 2.7"H x 0.4"D
BULB	N/A



CLICK TO VIEW PRODUCT

Notes: