

Lightology

lightology.com
866-954-4489
10-10-25

Project: _____

Company: _____

Location: _____ Fixture Type: _____

SPEC #: **CTS1173651**

Approved On: _____ Approved By: _____

Malagola Pendant

By Catellani & Smith

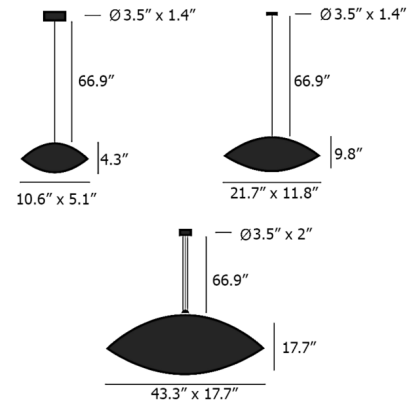


Description

The Malagola Pendant features an oblong design with pointed ends. An opening along the bottom of the pendant allows light to escape to provide general, ambient illumination. The metallic leaf finish adds an intriguing texture that complements the pendant's modern form. Includes black mounting plate to cover standard US junction box.



Shown in gold leaf



Specifications

COLOR	N/A
BODY FINISH	Gold Leaf
WATTAGE	8W
DIMMER	Low Voltage Electronic
DIMENSIONS	21.65"W x 9.84"H x 11.8"D
BULB NOT INCLUDED	1 x A19/Medium (E26)/8W/120V LED
COUNTRY OF ORIGIN	Italy



CLICK TO VIEW PRODUCT

Notes: