

Lightology

lightology.com
866-954-4489
05-25-26

Project: _____

Company: _____

Location: _____ Fixture Type: _____

SPEC #: **FNR1176604**

Approved On: _____ Approved By: _____

Angle Hook

By Form & Refine

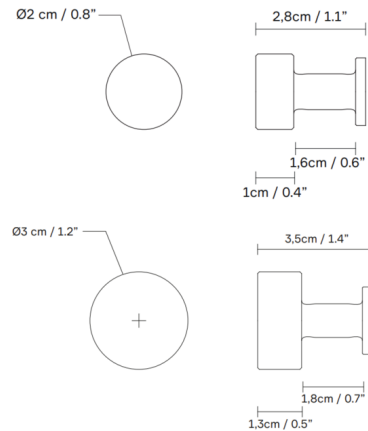


Description

The Angle Hook has been created from a single piece of lathe turned solid steel/brass. The grid surface provides a structure that is pleasant to the touch and keeps clothes and towels from slipping off. Depending on your preference you can either let it patinate, so it attains a darker shade, or keep it polished and shiny. The hook is also well-suited as a handle on drawers, cupboards, etc.



Shown in steel



Specifications

COLOR	N/A
BODY FINISH	Steel
WATTAGE	N/A
DIMMER	N/A
DIMENSIONS	0.79"W x 0.79"H x 1.1"D
BULB	N/A
COUNTRY OF ORIGIN	Denmark



CLICK TO VIEW PRODUCT

Notes: