

# Lightology

lightology.com  
866-954-4489  
04-25-26

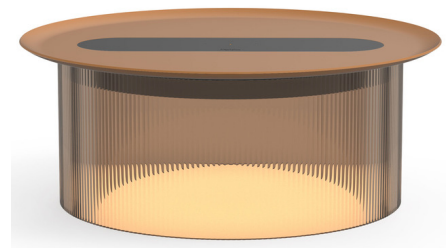
Project: \_\_\_\_\_  
Company: \_\_\_\_\_  
Location: \_\_\_\_\_ Fixture Type: \_\_\_\_\_  
SPEC #: **PBL1178116**  
Approved On: \_\_\_\_\_ Approved By: \_\_\_\_\_

## Carousel Illuminated Charging Tray Module By Pablo

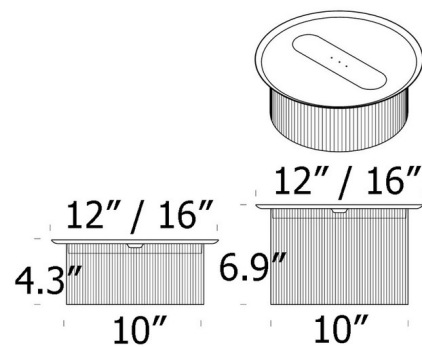


### Description

The Carousel Illuminated Charging Tray Module blurs the line between being an ambient structure and a charging station. The transparent, fluted acrylic body houses a flat panel LED emitting warm glare free illumination, discretely concealed below the colored low setting wireless charging tray surface for your mobile devices. Options include a Capacitive touch switch, Wireless charging w/ indicator light (2), USB-C charging port. Comes with a 6 foot cable.



Shown in bronze / terracota



### Specifications

COLOR	Terracota
BODY FINISH	Bronze
WATTAGE	7W
DIMMER	Included
DIMENSIONS	12"W x 4.3"H
INTEGRATED LED MODULE	LED/7W/120V LED

### Technical Information

COLOR RENDERING	90 CRI
LAMP COLOR	Warm Dim
LUMENS/WATT	42.86
LUMINOUS FLUX	300 lumens



CLICK TO VIEW PRODUCT

Notes: