

Lightology

lightology.com
866-954-4489
07-06-25

Project: _____

Company: _____

Location: _____ Fixture Type: _____

SPEC #: **SWG1178298**

Approved On: _____ Approved By: _____

Molecule Wall/Ceiling Light

By Schwung Home

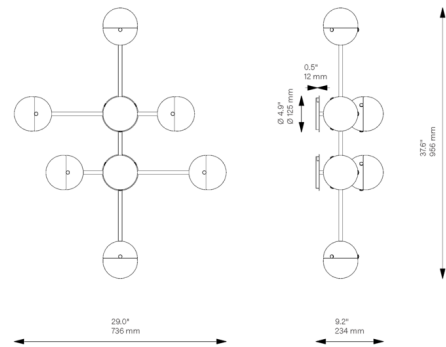


Description

The Molecule Wall/Ceiling Light features an arrangement of simple geometric forms with a playful expression. Intersecting metal bars are tipped with half-glass/half-metal orbs to house the light bulbs and direct light in all directions. May be installed as a wall sconce or ceiling light.



Shown in lacquered burnished brass / sand blasted



Specifications

COLOR Sand Blasted
BODY FINISH Black Gunmetal
WATTAGE 40W
DIMMER Low Voltage Electronic
DIMENSIONS 29"W x 37.6"H x 9.2"D
BULB INCLUDED 8 x A19/Medium (E26)/5W/120V LED

Technical Information

LAMP COLOR 2700K
LUMENS/WATT 800.00
LUMINOUS FLUX 4000 lumens



CLICK TO VIEW PRODUCT

Notes: