

# Lightology

lightology.com  
866-954-4489  
05-25-26

Project: \_\_\_\_\_

Company: \_\_\_\_\_

Location: \_\_\_\_\_ Fixture Type: \_\_\_\_\_

SPEC #: **LZF1182450**

Approved On: \_\_\_\_\_ Approved By: \_\_\_\_\_

## Dune Vertical Pendant

By LZF



### Description

The Dune Vertical Pendant, designed by Eduardo Garuti, is a sculptural masterpiece whose intriguing shape is sure to be the focal point of your space. A single piece of hand blown borosilicate glass envelopes a wood veneer diffuser with a pod like opening.

### Specifications

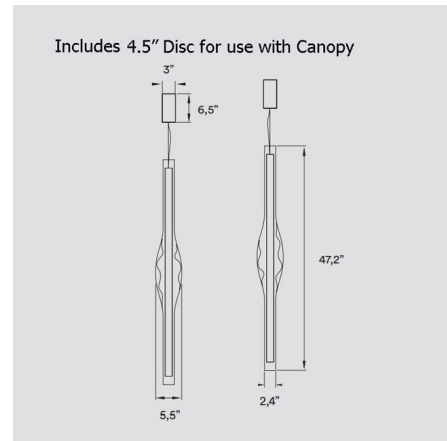
COLOR . . . . . Ivory White  
BODY FINISH . . . . . Black  
WATTAGE . . . . . 22W  
DIMMER . . . . . 0-10V  
DIMENSIONS . . . . . 5.5"W x 47.2"H  
INTEGRATED LED MODULE . . . . . 1 x LED/22W/120-277V LED  
COUNTRY OF ORIGIN . . . . . Spain

### Technical Information

LAMP LIFE . . . . . 40000 hours  
COLOR RENDERING . . . . . 90 CRI  
LAMP COLOR . . . . . 2700K  
LUMENS/WATT . . . . . 70.00  
LUMINOUS FLUX . . . . . 1540 lumens



Shown in black / ivory white



CLICK TO VIEW PRODUCT

Notes: