

# Lightology

lightology.com  
866-954-4489  
05-17-26

Project: \_\_\_\_\_

Company: \_\_\_\_\_

Location: \_\_\_\_\_ Fixture Type: \_\_\_\_\_

SPEC #: **RGN1182804**

Approved On: \_\_\_\_\_ Approved By: \_\_\_\_\_

## Andres Mixer Table - Set of 3

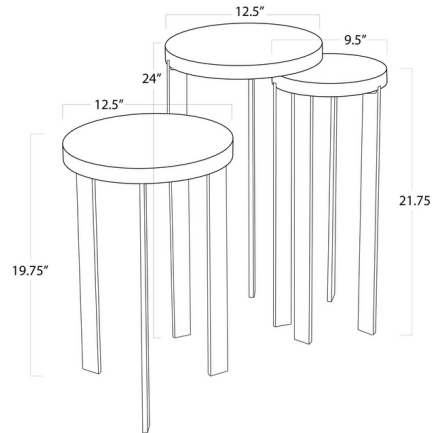
By Regina Andrew

### Description

The Andres Mixer Table Set includes a trio of petite side tables upholstered in genuine hair on hide in various colors. The stitched hide panels provide a unique texture with a rustic aesthetic, which is contrasted by the tables' contemporary shape. Due to natural variations in the hide, each table is unique. Legs area available in Brass or Polished Nickel.



Shown in brass / multicolor



### Specifications

COLOR	Multicolor
BODY FINISH	Brass
WATTAGE	N/A
DIMMER	N/A
DIMENSIONS	12.5"W x 24"H x 11"D
BULB	N/A
COUNTRY OF ORIGIN	India



CLICK TO VIEW PRODUCT

Notes: