

Lightology

lightology.com
866-954-4489
04-22-26

Project: _____

Company: _____

Location: _____ Fixture Type: _____

SPEC #: **RGN1183055**

Approved On: _____ Approved By: _____

Spyder Single Wall Sconce

By Regina Andrew

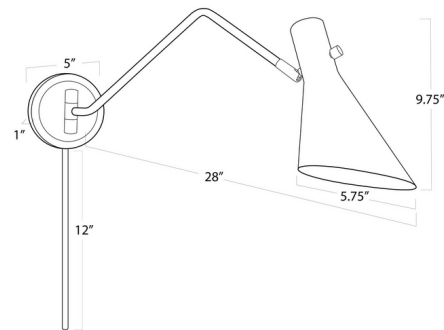


Description

The Spyder Wall Sconce offers function and utility with a sleek, modern aesthetic. An angled arm swings side to side and supports the conical lamp head, which can be tilted to aim the light source precisely where it is needed. May be installed as a hardwired or plug-in fixture. Dimmer switch located on lamp head.



Shown in brass / white



Specifications

COLOR	White
BODY FINISH	Brass
WATTAGE	40W
DIMMER	Included
DIMENSIONS	5.75"W x 9.75"H x 28"D
BULB NOT INCLUDED	1 x A19/Medium (E26)/40W/120V Incandescent
OTHER BULB OPTIONS	1 x A19/Medium (E26)/120V LED
COUNTRY OF ORIGIN	China



CLICK TO VIEW PRODUCT

Notes: