

Lightology

lightology.com
866-954-4489
05-24-26

Project: _____
 Company: _____
 Location: _____ Fixture Type: _____
 SPEC #: **ELE1186118**
 Approved On: _____ Approved By: _____

E4 Pro 4IN RD Flangeless Wall Wash New Construction Housing

By Visual Comfort Architectural



Description

The E4 Pro 4IN Round Flangeless Wall Wash Housing offers best-in-class performance by providing even illumination from the top to the bottom of a wall without scalloping or hot spots. The housing is available in a variety of wattages and includes a universal driver dimmable with standard reverse-phase, forward-phase, TRIAC, and 0-10V dimmers to set the perfect ambiance. Note: A complete fixture requires a housing and trim, sold separately.

Specifications

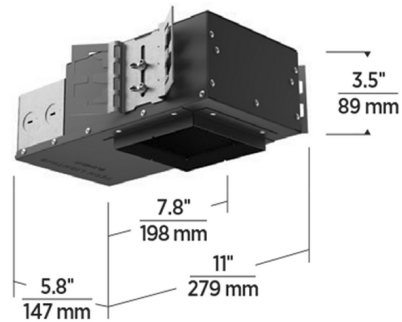
| | |
|------------------------|------------------------|
| REFLECTOR/BAFFLE COLOR | N/A |
| BODY FINISH | Black Powder Coat |
| WATTAGE | 8W |
| DIMMER | Low Voltage Electronic |
| DIMENSIONS | 11"W x 3.5"H x 5.8"D |
| INTEGRATED LED MODULE | 1 x LED/8W/120V LED |

Technical Information

| | |
|----------------|----------------------------------|
| APERTURE SIZE | 2.800" |
| APERTURE SHAPE | Round |
| HOUSING HEIGHT | 3.5" |
| HOUSING TYPE | New construction NON IC Airtight |
| CEILING TYPE | Drywall with Trim |
| FUNCTION | Wall Washer |
| LUMENS/WATT | 93.75 |
| LUMINOUS FLUX | 750 lumens |



Shown in black powder coat



COLLAR HEIGHT:
0.5" (13 mm)



CLICK TO VIEW PRODUCT

Notes: