

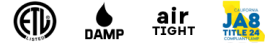
Lightology

lightology.com
866-954-4489
05-23-26

Project: _____
 Company: _____
 Location: _____ Fixture Type: _____
 SPEC #: **ELE1186210**
 Approved On: _____ Approved By: _____

E4 Pro 4IN SQ ADJ Flangeless Wood Ceiling Wall Wash Housing

By Visual Comfort Architectural



Description

The E4 Pro 4IN Square Flangeless Wood Ceiling Wall Wash Housing offers best-in-class performance by providing even illumination from the top to the bottom of a wall without scalloping or hot spots. The housing is available in a variety of wattages and includes a universal driver dimmable with standard reverse-phase, forward-phase, TRIAC, and 0-10V dimmers to set the perfect ambiance. Note: A complete fixture requires a housing and trim, sold separately. Intended for new construction use in wood ceilings with flangeless trims. For flanged trims in a wood ceiling, use the standard E4 Pro Series Square Flanged Wall Wash Housing.

Specifications

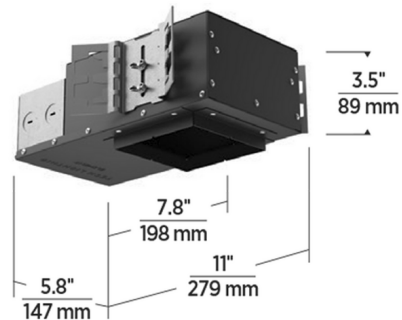
REFLECTOR/BAFFLE COLOR	N/A
BODY FINISH	Black Powder Coat
WATTAGE	8W
DIMMER	N/A
DIMENSIONS	11"W x 3.5"H x 5.8"D
INTEGRATED LED MODULE	1 x LED/8W/120V LED

Technical Information

APERTURE SIZE	2.800"
APERTURE SHAPE	Square
HOUSING HEIGHT	3.5"
HOUSING TYPE	New construction NON IC Airtight
CEILING TYPE	Wood
FUNCTION	Wall Washer
LUMENS/WATT	93.75
LUMINOUS FLUX	750 lumens



Shown in black powder coat



COLLAR HEIGHT:
0.5" (13 mm)



CLICK TO VIEW PRODUCT

Notes: