

Lightology

lightology.com
866-954-4489
04-24-26

Project: _____
 Company: _____
 Location: _____ Fixture Type: _____
 SPEC #: **ELE1188766**
 Approved On: _____ Approved By: _____

Verse 3IN Sloped New Construction IC Airtight Housing 2-Pack

By Visual Comfort Architectural



Description

The Verse 3 Inch Sloped New Construction IC Airtight Housing offers a recessed lighting solution for residential, multi-family and hospitality applications that is cost-effective yet high-quality and aesthetically pleasing. An LED light module and driver are integrated as part of the housing, and the color temperature options are 2700K and 3000K. Dimmable with reverse phase, forward phase, and TRIAC dimming down to 2% to 4%. The housing is 5.2 inches high, ideal for shallow plenums. It is optimized for a 22.5 degree slope but works with a broad range of ceiling pitches. Note: A complete fixture requires this housing and a trim (round or square), sold separately.

Specifications

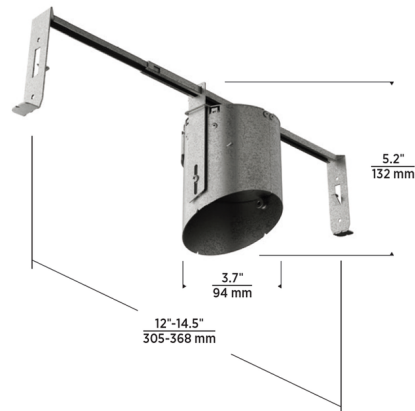
REFLECTOR/BAFFLE COLOR	N/A
BODY FINISH	Galvanized Steel
WATTAGE	9W
DIMMER	Low Voltage Electronic
DIMENSIONS	3.7"W x 5.2"H
INTEGRATED LED MODULE	1 x LED/9W/120V LED

Technical Information

HOUSING HEIGHT	6"
HOUSING TYPE	New Construction Slope IC
CEILING TYPE	Sloped
LAMP LIFE	50000 hours
COLOR RENDERING90 CRI
LAMP COLOR	2700K
LUMENS/WATT	92.78
LUMINOUS FLUX	835 lumens



Shown in galvanized steel



CLICK TO VIEW PRODUCT

Notes: