

Lightology

lightology.com
866-954-4489
04-25-26

Project: _____
Company: _____
Location: _____ Fixture Type: _____
SPEC #: **INVT191492**
Approved On: _____ Approved By: _____

Adirondack Stem Hung Pendant By Innovations Lighting

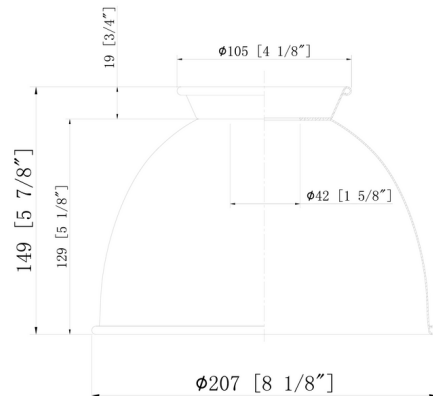


Description

The Adirondack Pendant features a classic dome-shaped shade suspended by rigid downrods and a circular canopy. The top of the dome is adorned with a flared rim for a decorative touch.



Shown in antique brass / matte black



Specifications

COLOR	N/A
BODY FINISH	Antique Brass / Matte Black
WATTAGE	17W
DIMMER	Standard 120V
DIMENSIONS	8.25"W x 8.5"H x 8.13"D
BULB NOT INCLUDED	1 x Edison ST-Shape/Medium (E26)/17W/120V LED
OTHER BULB OPTIONS	1 x Edison ST-Shape/Medium (E26)/6W/120V LED
COUNTRY OF ORIGIN	China

Technical Information

PRODUCT DIMENSIONS Downrods Included: (1) 6" and (2) 12" Stems



CLICK TO VIEW PRODUCT

Notes: