

# Lightology

lightology.com  
866-954-4489  
04-19-26

Project: \_\_\_\_\_  
 Company: \_\_\_\_\_  
 Location: \_\_\_\_\_ Fixture Type: \_\_\_\_\_  
 SPEC #: **KZC1193210**  
 Approved On: \_\_\_\_\_ Approved By: \_\_\_\_\_

## Cedar Double Wall Sconce By Kuzco Lighting



### Description

The Cedar Double Wall Sconce brings a clean decorative look to your interior space. The smooth outer glass is complemented by an inner globe, casting warm shadows across your room.

### Specifications

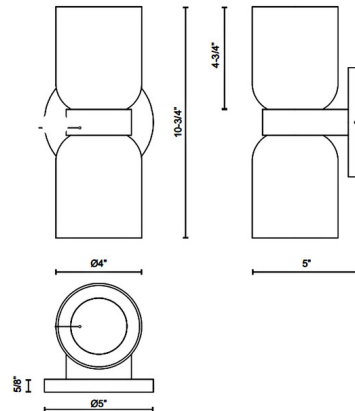
COLOR . . . . . Frost / Clear  
 BODY FINISH . . . . . Brushed Gold  
 WATTAGE . . . . . 11W  
 DIMMER . . . . . Low Voltage Electronic  
 DIMENSIONS . . . . . 4"W x 10.75"H x 5"D  
 INTEGRATED LED MODULE . . . . . 2 x LED/5.5W/120V LED  
 COUNTRY OF ORIGIN . . . . . China

### Technical Information

COLOR RENDERING . . . . . 90 CRI  
 LAMP COLOR . . . . . 3000K  
 LUMENS/WATT . . . . . 203.64  
 LUMINOUS FLUX . . . . . 1120 lumens



Shown in brushed gold / frost / clear



CLICK TO VIEW PRODUCT

Notes: