

Lightology

lightology.com
866-954-4489
04-21-26

Project: _____

Company: _____

Location: _____ Fixture Type: _____

SPEC #: **HNMT194092**

Approved On: _____ Approved By: _____

Apogee Pendant

By hollis+morris

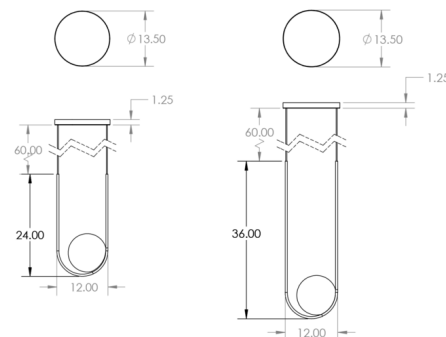


Description

The curvilinear shape of the Apogee Pendant is inspired by the moon's elliptical orbit around Earth. Taking its name from the apogee, the moon's furthest point from Earth along its orbit, the pendant's frosted acrylic disc evokes the image of the moon in its gibbous phase. Apogee's interesting arrangement of simple shapes creates an attention-grabbing fixture with a sculptural presence. Includes canopy-mounted 24V DC phase dimmable driver and circular canopy in white finish.



Shown in black / frosted



Specifications

COLOR	Frosted
BODY FINISH	Black
WATTAGE	8.8W
DIMMER	Low Voltage Electronic
DIMENSIONS	12"W x 24"H
INTEGRATED LED MODULE	1 x LED/8.8W/24V LED

Technical Information

LAMP COLOR	3000K
LUMENS/WATT	17.05
LUMINOUS FLUX	150 lumens



CLICK TO VIEW PRODUCT

Notes: