

Lightology

lightology.com
866-954-4489
04-25-26

Project: _____

Company: _____

Location: _____ Fixture Type: _____

SPEC #: **MLW1199555**

Approved On: _____ Approved By: _____

Nest Curved Arm Wall Sconce By Montclair Light Works



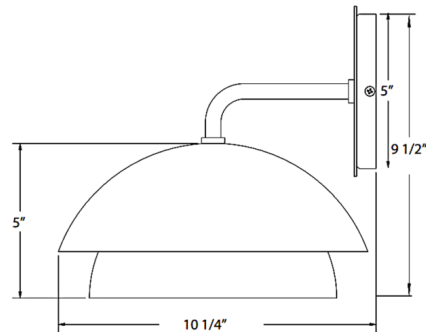
Description

The Nest Curved Arm Wall Light brings a playful beauty to your interior space. The smooth curved arm is complemented by nested dome shaped shades, lined in white, casting warm shadows around your room. The Polyester powder coat finish provides color retention and scratch resistance.



Shown in navy

NEST 10"



Specifications

COLOR	N/A
BODY FINISH	Navy
WATTAGE	17W
DIMMER	Standard 120V
DIMENSIONS	10"W x 9.5"H x 10.25"D
BULB NOT INCLUDED	1 x A19/Medium (E26)/17W/120V LED
COUNTRY OF ORIGIN	United States



CLICK TO VIEW PRODUCT

Notes: