



BRAND

Hadco by Signify

DESCRIPTION

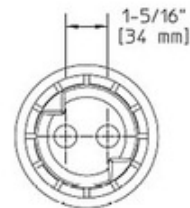
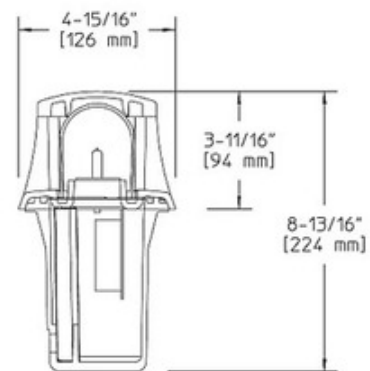
DWC1 Composite Mini Beacon Bollard with Integral Transformer is constructed from a single piece compression molded fiberglass reinforced polyester composite material that is textured, pressure formed and molded-in-color in Black. Frosted borosilicate glass optical assembly. One 20 watt T3 bipin halogen lamp included. Lower wattage lamps are acceptable. Includes electronic transformer. 4.9 inch diameter x 8.8 inch overall high. ETL listed for wet locations.



SHADE COLOR	Frosted
BODY FINISH	Black
WATTAGE	20W
DIMMER	Dimmable
DIMENSIONS	4.9"W x 8.8"H
BULB INCLUDED	
LAMP	1 x T3/Bipin/20W/12V Halogen

SPEC #

HAD120058



COMPANY

PROJECT

FIXTURE TYPE

APPROVED BY

DATE