

# Lightology

lightology.com  
866-954-4489  
06-04-26

Project: \_\_\_\_\_

Company: \_\_\_\_\_

Location: \_\_\_\_\_ Fixture Type: \_\_\_\_\_

SPEC #: **WOU1201874**

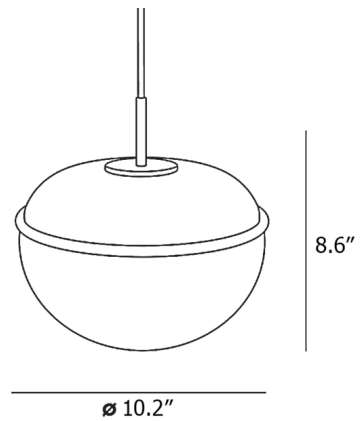
Approved On: \_\_\_\_\_ Approved By: \_\_\_\_\_

## Pump Pendant By Woud Design



### Description

The Pump Pendant was inspired by the shape of a hot air balloon for a light, airy aesthetic that will elevate any interior. The opal glass shade is surrounded by a black, tubular steel ring which provides contrast and causes the pendant to appear to float in mid-air.



### Specifications

COLOR	Opal
BODY FINISH	Black
WATTAGE	25W
DIMMER	Standard 120V
DIMENSIONS	10.2"W x 8.6"H
BULB NOT INCLUDED	1 x B10/Candelabra (E12)/25W/120V Incandescent
COUNTRY OF ORIGIN	China

Notes: