

Lightology

lightology.com
866-954-4489
07-08-26

Project: _____
 Company: _____
 Location: _____ Fixture Type: _____
 SPEC #: **KNCT202133**
 Approved On: _____ Approved By: _____

Z-Bar Solo Pro Gen 4 Tunable White Desk Lamp By Koncept Lighting



Description

The Z-Bar Solo Pro Gen 4 Desk Lamp is defined by its sleek, minimalist silhouette, the perfect addition to a contemporary office or other work area. Its simple, flexible two-bar design is improved in Gen 4, with hidden joints for a cleaner profile and greater articulation. The arm has a wide range of motion, and the head rotates 360 degrees and spins 360 degrees for precisely aiming the light. The lamp can also collapse into a stick when not in use. The LED module and improved optics provide bright lighting with minimal harsh shadows. Touch controls on the lamp head are used to turn the light on/off and adjust brightness (continuous dimming) and color temperature (tunable 2700K-5000K). Phones and other devices can be charged using the 1.5A USB-C port near the base. An occupancy sensor shuts the lamp off after 15 minutes of inactivity. Additional eco-friendly features are low power consumption, fully recyclable aluminum construction, and use of water-based paint. Choose from a standard table base, a wireless charger base, or various options for mounting onto a table to save space. The wireless charger base is powered by plugging it into the USB-C port.

Specifications

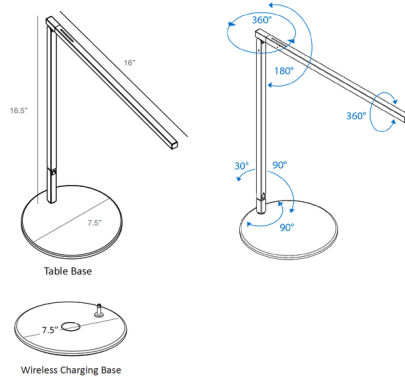
COLOR	N/A
BODY FINISH	Matte Black
WATTAGE	10.1W
DIMMER	Included
DIMENSIONS	7.5"W x 16.5"H x 16"D
INTEGRATED LED MODULE	1 x LED/10.1W/120V LED
COUNTRY OF ORIGIN	China

Technical Information

LAMP LIFE	60000 hours
COLOR RENDERING	90 CRI
LAMP COLOR	Tunable White
LUMENS/WATT	96.14
LUMINOUS FLUX	971 lumens



Shown in matte black



CLICK TO VIEW PRODUCT

Notes: