

Lightology

lightology.com
866-954-4489
04-21-26

Project: _____

Company: _____

Location: _____ Fixture Type: _____

SPEC #: **FMB1203309**

Approved On: _____ Approved By: _____

Bellevie Dining Chair V2

By Fermob

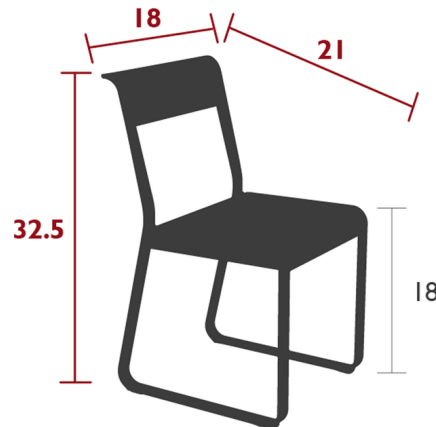


Description

The aluminum frame and steel sheet seat Bellevie Sled Chair is part of Fermob's Bellevie Collection. Its sleek simple design makes this a must have for your dining table indoor or outdoor. Not recommended for use near salt air conditions and chlorinated pools.



Shown in clay grey



Specifications

COLOR	N/A
BODY FINISH	Clay Grey
WATTAGE	N/A
DIMMER	N/A
DIMENSIONS	18"W x 32.5"H x 21"D
BULB	N/A
COUNTRY OF ORIGIN	France

Technical Information

PRODUCT DIMENSIONS	Seat Height: 18"
--------------------	------------------



CLICK TO VIEW PRODUCT

Notes: