

Lightology

lightology.com
866-954-4489
04-22-26

Project: _____

Company: _____

Location: _____ Fixture Type: _____

SPEC #: **SID1204135**

Approved On: _____ Approved By: _____

Hover Table Lamp

By LODES



Description

The Hover Table Lamp features a detached lamp shade supported by a slim cable that creates the illusion of the lampshade floating in midair. The lightness of the design is also reflected in the lamp's construction, which includes a flat-packed paper and polymer shade that can be easily assembled. An included dimmer allows the brightness of the LED light source to be set to the perfect level. Dimmer switch located on top of the stem.

Specifications

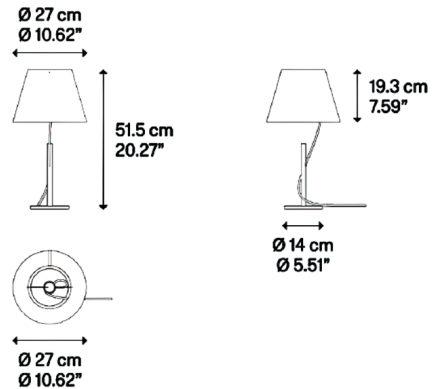
COLOR White
BODY FINISH Matte White
WATTAGE 6W
DIMMER Included
DIMENSIONS 10.62"W x 20.27"H
INTEGRATED LED MODULE 1 x LED/6W/120V LED

Technical Information

COLOR RENDERING 90 CRI
LAMP COLOR 2700K
LUMENS/WATT 166.67
LUMINOUS FLUX 1000 lumens



Shown in matte white / white



CLICK TO VIEW PRODUCT

Notes: