

# Lightology

lightology.com  
866-954-4489  
07-07-26

Project: \_\_\_\_\_

Company: \_\_\_\_\_

Location: \_\_\_\_\_ Fixture Type: \_\_\_\_\_

SPEC #: **KRK1205027**

Approved On: \_\_\_\_\_ Approved By: \_\_\_\_\_

## Reed Wall Light By Tom Kirk Lighting

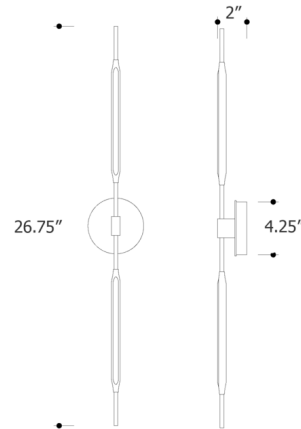


### Description

The Reed Wall Light has a sophisticated design that takes inspiration from the reeds that grow along river banks. Its ultra-slim stem houses a pair of integrated LED lights available with lighting directed outwards for direct lighting or towards the wall for a more subtle indirect lighting effect.



Shown in matte white



### Specifications

COLOR	N/A
BODY FINISH	Matte White
WATTAGE	3W
DIMMER	Not Dimmable
DIMENSIONS	4.25"W x 26.75"H x 2"D
INTEGRATED LED MODULE	2 x LED/1.5W/24V LED

### Technical Information

PRODUCT DIMENSIONS	Backplate: 4.25" diameter
LAMP COLOR	3000K
LUMENS/WATT	213.33
LUMINOUS FLUX	320 lumens



CLICK TO VIEW PRODUCT

Notes: