

Lightology

lightology.com
866-954-4489
05-25-26

Project: _____

Company: _____

Location: _____ Fixture Type: _____

SPEC #: **KRK1205030**

Approved On: _____ Approved By: _____

Reed Wall Light By Tom Kirk Lighting



Description

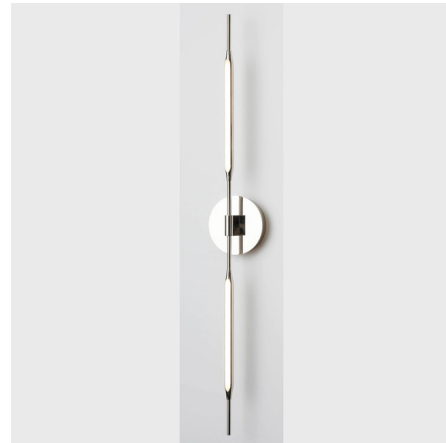
The Reed Wall Light has a sophisticated design that takes inspiration from the reeds that grow along river banks. Its ultra-slim stem houses a pair of integrated LED lights available with lighting directed outwards for direct lighting or towards the wall for a more subtle indirect lighting effect.

Specifications

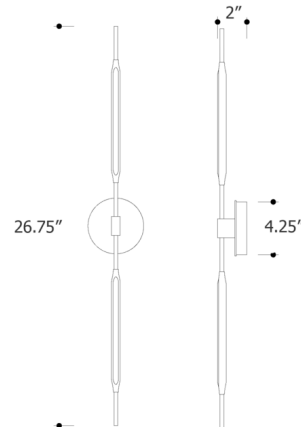
COLOR	N/A
BODY FINISH	Polished Nickel
WATTAGE	3W
DIMMER	Not Dimmable
DIMENSIONS	4.25"W x 26.75"H x 2"D
INTEGRATED LED MODULE	2 x LED/1.5W/24V LED

Technical Information

LAMP COLOR	3000K
LUMENS/WATT	213.33
LUMINOUS FLUX	320 lumens



Shown in polished nickel



CLICK TO VIEW PRODUCT

Notes: