

# Lightology

lightology.com  
866-954-4489  
05-16-26

Project: \_\_\_\_\_  
 Company: \_\_\_\_\_  
 Location: \_\_\_\_\_ Fixture Type: \_\_\_\_\_  
 SPEC #: **TLG1205356**  
 Approved On: \_\_\_\_\_ Approved By: \_\_\_\_\_

## Phobos Chandelier By Visual Comfort Modern



### Description

The simplicity of tubular light is displayed in an angular, geometric arrangement on the Phobos Chandelier, a striking contemporary piece for your space. Laser-etched light guide channels encased in borosilicate glass diffuse the light to provide ambient illumination for foyers, dining areas, and living rooms. 120V: TRIAC and ELV dimmable. 277V: 0-10V dimmable. The Natural Brass fixtures have a living finish that will patina over time, developing warm character. If the patina becomes uneven or spotty, a brass cleaner can restore the finish.

### Specifications

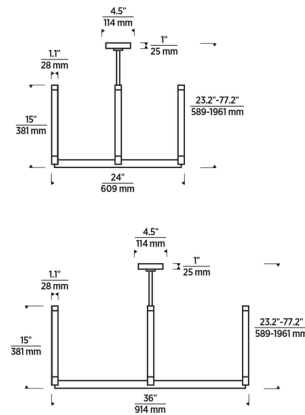
COLOR	Clear
BODY FINISH	Natural Brass
WATTAGE	22.3W
DIMMER	0-10V
DIMENSIONS	36"W x 15"H x 36"D
INTEGRATED LED MODULE	4 x LED/5.58W/277V LED
COUNTRY OF ORIGIN	China

### Technical Information

LAMP LIFE	50000 hours
COLOR RENDERING	90 CRI
LAMP COLOR	2700K
LUMENS/WATT	198.57
LUMINOUS FLUX	1108 lumens



Shown in natural brass / clear



CLICK TO VIEW PRODUCT

Notes: