

Lightology

lightology.com
866-954-4489
07-07-26

Project: _____
 Company: _____
 Location: _____ Fixture Type: _____
 SPEC #: **WAC1205921**
 Approved On: _____ Approved By: _____

Strum Pendant By WAC Lighting



Description

The Strum Pendant features a two-tiered fabric drum shade for a refined, clean-lined aesthetic. The shade is supported by black aluminum brackets placed on the outside of the shade to add a contrasting visual element. The bottom of the pendant is covered by a polycarbonate diffuser to gently disperse light and reduce glare from the integrated LED light source. Dimmable 100% to 5% with ELV dimmers.

Specifications

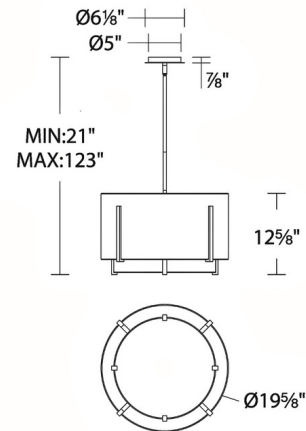
COLOR	Off White
BODY FINISH	Black
WATTAGE	24W
DIMMER	Low Voltage Electronic
DIMENSIONS	19.63"W x 12.63"H
INTEGRATED LED MODULE	1 x LED/24W/120V LED

Technical Information

LAMP LIFE	50000 hours
COLOR RENDERING	90 CRI
LAMP COLOR	3000K
LUMENS/WATT	36.54
LUMINOUS FLUX	877 lumens



Shown in black / off white



CLICK TO VIEW PRODUCT

Notes: