

Lightology

lightology.com
866-954-4489
04-20-26

Project: _____

Company: _____

Location: _____ Fixture Type: _____

SPEC #: **WAC1205951**

Approved On: _____ Approved By: _____

Aether Atomic New Construction Frame-In Kit By WAC Lighting



Description

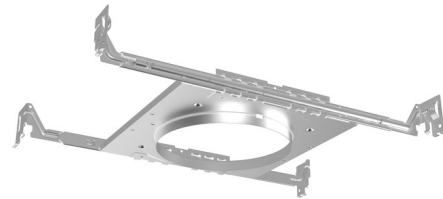
The Aether Atomic New Construction Frame-In Kit allows the Aether Atomic Series by WAC Lighting to be installed in new construction applications. The Frame-In Kit is compatible with ceilings .5 to 2 inches in thickness, and the hanger bars extend up to 24 inches. Note: The Aether Atomic New Construction Frame-In Kit is not a housing. It requires the Aether Atomic Remodel Housing, sold separately.

Specifications

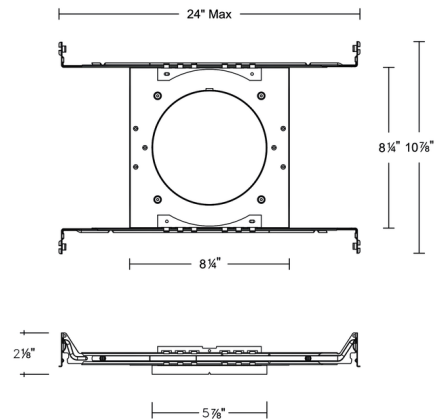
COLOR	N/A
BODY FINISH	Galvanized Steel
WATTAGE	N/A
DIMMER	N/A
DIMENSIONS	24"W x 2.13"H x 10.88"D
BULB	N/A

Technical Information

HOUSING HEIGHT	2.5"
HOUSING TYPE	New Construction NON IC
FUNCTION	Downlight



Shown in galvanized steel



CLICK TO VIEW PRODUCT

Notes: