

Lightology

lightology.com
866-954-4489
06-11-26

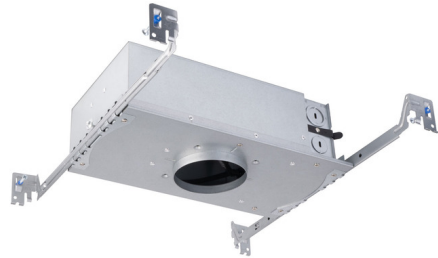
Project: _____
 Company: _____
 Location: _____ Fixture Type: _____
 SPEC #: **WAC1205973**
 Approved On: _____ Approved By: _____

FQ 2 inch 15W Shallow New Construction Housing By WAC Lighting

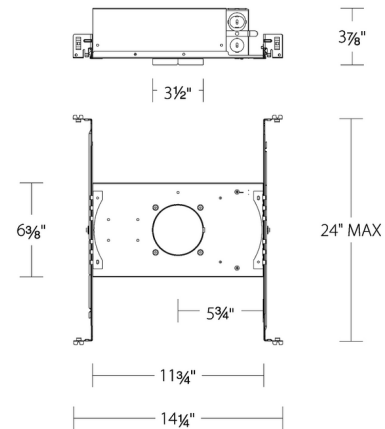


Description

The FQ 2IN Shallow New Construction Housing is designed for use with the FQ Series of trimmed round and square recessed lights by WAC Lighting. This housing is IC-rated for contact with insulation and airtight, with a low profile that can easily fit into tight spaces. Hanger bars extend to 24 inches max to fit between ceiling joists. Dimmable 100% to 5% with ELV and TRIAC dimmers, and 100% to 1% with 0-10V dimmers. Note: A complete fixture requires the housing and a trim, sold separately.



Shown in galvanized steel



Specifications

REFLECTOR/BAFFLE COLOR	N/A
BODY FINISH	Galvanized Steel
WATTAGE	15W
DIMMER	Low Voltage Electronic
DIMENSIONS	14.25"W x 3.88"H x 6.388"D
INTEGRATED LED MODULE	1 x LED/15W/120-277V LED

Technical Information

HOUSING HEIGHT	4"
HOUSING TYPE	New construction IC Airtight
CEILING TYPE	Drywall with Trim



CLICK TO VIEW PRODUCT

Notes: