

# Lightology

lightology.com  
866-954-4489  
06-29-26

Project: \_\_\_\_\_  
 Company: \_\_\_\_\_  
 Location: \_\_\_\_\_ Fixture Type: \_\_\_\_\_  
 SPEC #: **ICW1216718**  
 Approved On: \_\_\_\_\_ Approved By: \_\_\_\_\_

## Brass Arundel Surface Mount By In Common With

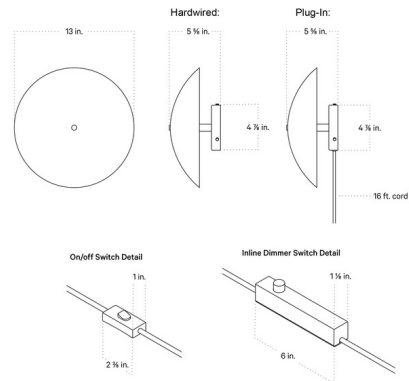


### Description

The Brass Arundel Surface Mount is a versatile lighting fixture from In Common With that features a Brass shade and shines light back towards the surface it is mounted on. It can be mounted to either walls or ceilings and provides a warm, golden glow. Hardwire and Plug-In versions available. Plug-In version supplied with 16 ft. of cord with an inline dimmer or on/off switch.



Shown in brass canopy / brass shade



### Specifications

COLOR	Brass Shade
BODY FINISH	Brass Canopy
WATTAGE	12W
DIMMER	Standard 120V
DIMENSIONS	13"W x 13"H x 5.625"D
BULB INCLUDED	3 x G16.5/Candelabra (E12)/4W/120V LED

### Technical Information

COLOR RENDERING	95 CRI
LAMP COLOR	Warm Dim
LUMENS/WATT	165.00
LUMINOUS FLUX	660 lumens



CLICK TO VIEW PRODUCT

Notes: