

# Lightology

lightology.com  
866-954-4489  
07-06-26

Project: \_\_\_\_\_  
Company: \_\_\_\_\_  
Location: \_\_\_\_\_ Fixture Type: \_\_\_\_\_  
SPEC #: **FOS1221980**  
Approved On: \_\_\_\_\_ Approved By: \_\_\_\_\_

## Bridge Table Lamp

By Foscarini



### Description

The Bridge Lamp represents sculptural simplicity driven by design. This visually striking luminous bridge has no joints, formed out of a single sheet of metal cut by lasers and folded into shape. LED light is emitted from the top bar and shines downward, providing ambient lighting for a bedroom or living room. A simple wave of the hand triggers an optical sensor at the center to turn the light on and off. The Dark Red version is made of steel treated with a liquid finish, while the Brass is made of brass that has been polished and coated with enamel to prevent tarnishing.

### Specifications

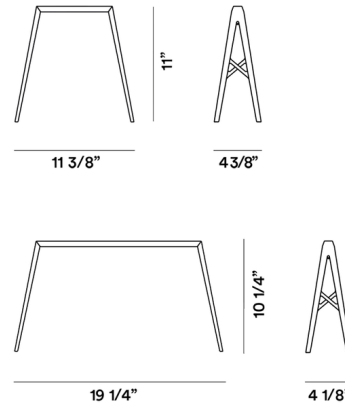
COLOR	N/A
BODY FINISH	Brass
WATTAGE	3.4W
DIMMER	N/A
DIMENSIONS	11.375"W x 11"H x 4.375"D
INTEGRATED LED MODULE	1 x LED/3.4W/120V LED
COUNTRY OF ORIGIN	Italy

### Technical Information

COLOR RENDERING	90 CRI
LAMP COLOR	2700K
LUMENS/WATT	100.00
LUMINOUS FLUX	340 lumens



Shown in brass



CLICK TO VIEW PRODUCT

Notes: