

# Lightology

lightology.com  
866-954-4489  
08-24-25

Project: \_\_\_\_\_

Company: \_\_\_\_\_

Location: \_\_\_\_\_ Fixture Type: \_\_\_\_\_

SPEC #: **ET21228565**

Approved On: \_\_\_\_\_ Approved By: \_\_\_\_\_

## Pearl Swing Arms Wall Sconce By Et2



### Description

The Pearl Swing Arms Wall Sconce brings a flexible, artistic look to your interior space. The oversized panels, are attached to an arm that swings to direct light up, down, or over the Crystal orb, casting warm shadows just where you want it.

### Specifications

COLOR . . . . . Crystal  
BODY FINISH . . . . . Black / Natural Aged Brass  
WATTAGE . . . . . 10W  
DIMMER . . . . . Low Voltage Electronic  
DIMENSIONS . . . . . 11.75"W x 11.75"H x 32"D  
INTEGRATED LED MODULE . . . . . 2 x LED/5W/120V LED

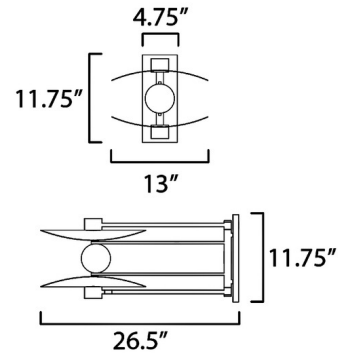
### Technical Information

COLOR RENDERING . . . . . 90 CRI  
LAMP COLOR . . . . . 3000K  
LUMENS/WATT . . . . . 130.00  
LUMINOUS FLUX . . . . . 650 lumens

Notes:



Shown in black / natural aged brass / crystal



CLICK TO VIEW PRODUCT