

Lightology

lightology.com
866-954-4489
08-24-25

Project: _____
 Company: _____
 Location: _____ Fixture Type: _____
 SPEC #: **DAI1229570**
 Approved On: _____ Approved By: _____

Weslyn Wall Sconce By Dainolite

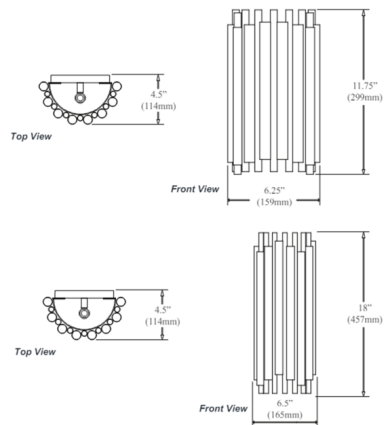


Description

The Weslyn Wall Sconce uses numerous metal rods with different thicknesses and staggered heights to create its singular shade. The tall, roughly cylindrical shade both hides the light sources within and then directs their light up and down the wall.



Shown in aged brass



Specifications

COLOR	N/A
BODY FINISH	Aged Brass
WATTAGE	14W
DIMMER	Standard 120V
DIMENSIONS	6.25"W x 11.75"H x 4.5"D
BULB NOT INCLUDED	2 x MR16/GU10/7W/120V LED
COUNTRY OF ORIGIN	China



CLICK TO VIEW PRODUCT

Notes: