

Lightology

lightology.com
866-954-4489
08-24-25

Project: _____

Company: _____

Location: _____ Fixture Type: _____

SPEC #: **DAI1229579**

Approved On: _____ Approved By: _____

Wilson Wall Sconce

By Dainolite



Description

The Wilson Wall Sconce showcases modern and sleek design that can be used for both commercial or residential spaces. Features two light sources enclosed within an acrylic diffuser.

Specifications

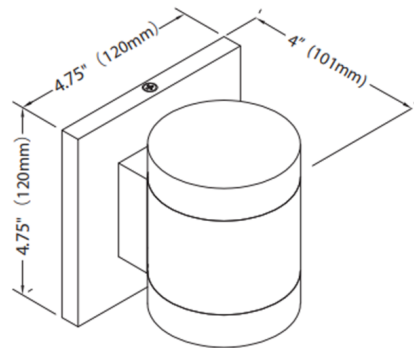
COLOR	Frosted
BODY FINISH	Matte Black
WATTAGE	14W
DIMMER	Low Voltage Electronic
DIMENSIONS	4.75"W x 4.75"H x 4"D
INTEGRATED LED MODULE	2 x LED/7W/120V LED
COUNTRY OF ORIGIN	China

Technical Information

LAMP LIFE	30000 hours
COLOR RENDERING	90 CRI
LAMP COLOR	3000K
LUMENS/WATT	171.43
LUMINOUS FLUX	1200 lumens



Shown in matte black / frosted



CLICK TO VIEW PRODUCT

Notes: