

Lightology

lightology.com
866-954-4489
06-30-26

Project: _____
 Company: _____
 Location: _____ Fixture Type: _____
 SPEC #: **BOV1230303**
 Approved On: _____ Approved By: _____

Nans Balis Outdoor Linear Pendant By Bover



Description

The Nans Balis S/140 Outdoor Linear Pendant combines modern design with Mediterranean charm. Its shade is made of recyclable, non-toxic polyethylene strands, with multiple colors hand-woven together, offering texture and durability for outdoor use. A polyethylene diffuser set in the shade softens the LED light. The Nans is perfect for bringing warm, refreshing light to your deck or patio, or for creating inviting scenes in outdoor lounges and restaurants. Note: Requires a 2 x 4 inch junction box (canopy is 16.54L x 2.17W x 2.36H inches).

Specifications

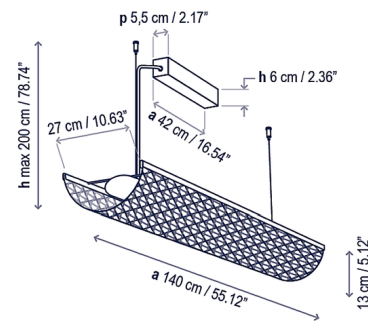
COLOR Red
 BODY FINISH Graphite Brown
 WATTAGE 44W
 DIMMER 0-10V
 DIMENSIONS 55.12"L x 10.63"W x 5.12"H
 INTEGRATED LED MODULE 1 x LED/44W/120V LED
 COUNTRY OF ORIGIN Spain

Technical Information

COLOR RENDERING 90 CRI
 LAMP COLOR 2400K
 LUMENS/WATT 100.00
 LUMINOUS FLUX 4400 lumens



Shown in graphite brown / red



CLICK TO VIEW PRODUCT

Notes: