

Lightology

lightology.com
866-954-4489
04-20-26

Project: _____
 Company: _____
 Location: _____ Fixture Type: _____
 SPEC #: **INV1233185**
 Approved On: _____ Approved By: _____

Lake Placid Multi-Light Pendant By Innovations Lighting

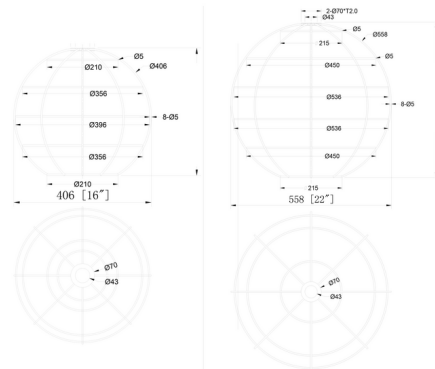


Description

The Lake Placid Multi-Light Pendant is versatile and showcases the popular orb wire cage design. With various sizes you can make this fixture your own. NOTE: This is a stem hung pendant and includes 1-6 and 2-12 inch (1/2 diameter) stems.



Shown in matte black / matte black



Specifications

COLOR Matte Black
 BODY FINISH Matte Black
 WATTAGE 27W
 DIMMER Standard 120V
 DIMENSIONS 16"W x 18"H
 BULB NOT INCLUDED 3 x B10/Candelabra (E12)/9W/120V LED
 OTHER BULB OPTIONS T6/Candelabra (E12)/120V LED
 COUNTRY OF ORIGIN China

Technical Information

PRODUCT DIMENSIONS Downrods Included: (1) 6" and (2) 12" Stems



CLICK TO VIEW PRODUCT

Notes: