

Lightology

lightology.com
866-954-4489
05-24-26

Project: _____

Company: _____

Location: _____ Fixture Type: _____

SPEC #: **INV1233234**

Approved On: _____ Approved By: _____

Malone Cord Hung Pendant

By Innovations Lighting

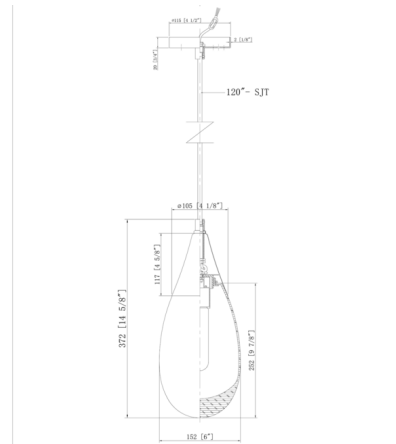


Description

The Malone Cord Hung Pendant features a stunning water droplet-shaped glass shade that exudes elegance and fluidity. The organic curves of the droplet design evoke a sense of calm and refinement, perfectly complementing modern and transitional interiors. Its smooth, minimalist frame highlights the beauty of the glass, creating a captivating glow that enhances any kitchen, dining, or living space. NOTE: This is a cord hung pendant and includes 120 inch field adjustable cord.



Shown in matte black / clear



Specifications

COLOR	Clear
BODY FINISH	Matte Black
WATTAGE	17W
DIMMER	Standard 120V
DIMENSIONS	6"W x 14.375"H
BULB NOT INCLUDED	1 x T9/Medium (E26)/17W/120V LED
COUNTRY OF ORIGIN	China



CLICK TO VIEW PRODUCT

Notes: