

Lightology

lightology.com
866-954-4489
05-21-26

Project: _____

Company: _____

Location: _____ Fixture Type: _____

SPEC #: **VCG1237064**

Approved On: _____ Approved By: _____

Studio Adjustable Floor Lamp

By Visual Comfort Signature



Description

The Studio Adjustable Floor Lamp brings a clean industrial look to your interior space. The curved arm directs light downward and the stem adjusts from 34 inches to 45 inches with a ring. Dimmer switch is located on the lamp socket.

Specifications

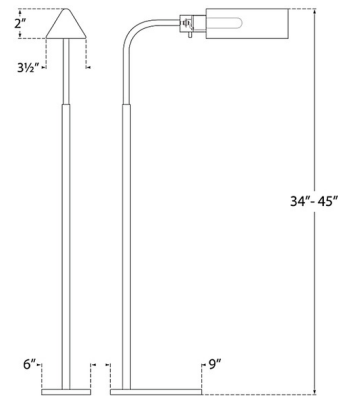
COLOR	N/A
BODY FINISH	Bronze
WATTAGE	60W
DIMMER	Included
DIMENSIONS	6"W x 34"H x 13"D
BULB NOT INCLUDED	1 x T10/Medium (E26)/60W/120V Incandescent
OTHER BULB OPTIONS	1 x T10/Medium (E26)/120V LED

Technical Information

PRODUCT DIMENSIONS	Cord: 120"
--------------------	------------



Shown in bronze



CLICK TO VIEW PRODUCT

Notes: