

# Lightology

lightology.com  
866-954-4489  
07-06-26

Project: \_\_\_\_\_

Company: \_\_\_\_\_

Location: \_\_\_\_\_ Fixture Type: \_\_\_\_\_

SPEC #: **VCG1237342**

Approved On: \_\_\_\_\_ Approved By: \_\_\_\_\_

## Sloane Double Shop Pendant

By Visual Comfort Signature

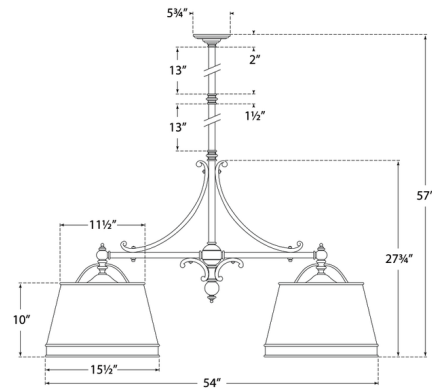


### Description

The Sloane Double Shop Pendant adds a classic touch to your space with its simple tapered shades and detailed metalwork. Choose matching metal shades for a rustic feel or linen shades for a softer look. Light shines downward through diffusers, providing ideal ambient illumination for a dining area or kitchen counter. Note: Custom overall heights are available. For quotes, please contact our sales team.



Shown in antique burnished brass



### Specifications

COLOR	N/A
BODY FINISH	Antique Burnished Brass
WATTAGE	240W
DIMMER	Standard 120V
DIMENSIONS	54"W x 57"H
BULB NOT INCLUDED	4 x A19/Medium (E26)/60W/120V Incandescent
OTHER BULB OPTIONS	4 x A19/Medium (E26)/120V LED



CLICK TO VIEW PRODUCT

Notes: