

# Lightology

lightology.com  
866-954-4489  
07-06-26

Project: \_\_\_\_\_

Company: \_\_\_\_\_

Location: \_\_\_\_\_ Fixture Type: \_\_\_\_\_

SPEC #: **VCG1237458**

Approved On: \_\_\_\_\_ Approved By: \_\_\_\_\_

## Clip-On Shade

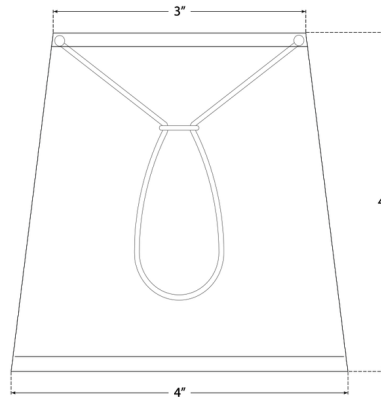
By Visual Comfort Signature

### Description

This clip-on shade can be placed on compatible Visual Comfort Signature fixtures. It is for use with a maximum 40W frosted B type bulb.



Shown in natural paper



### Specifications

COLOR	Natural Paper
BODY FINISH	N/A
WATTAGE	N/A
DIMMER	N/A
DIMENSIONS	4"W x 4"H
BULB	N/A



CLICK TO VIEW PRODUCT

Notes: