

# Lightology

lightology.com  
866-954-4489  
06-10-26

Project: \_\_\_\_\_

Company: \_\_\_\_\_

Location: \_\_\_\_\_ Fixture Type: \_\_\_\_\_

SPEC #: **VCG1237656**

Approved On: \_\_\_\_\_ Approved By: \_\_\_\_\_

## Boston Loop Arm Wall Sconce

By Visual Comfort Signature

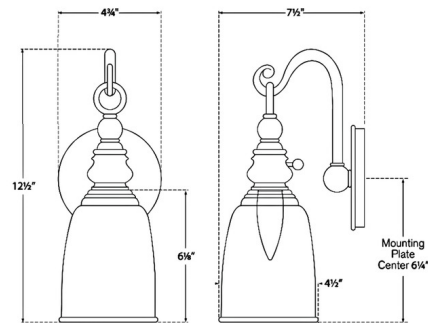


### Description

The Boston Loop Arm Wall Sconce brings a simple, effortless look to your interior space. The industrial frame is softened with a hanging glass shade, that casts warm shadows across your room. On/Off switch is located on the lamp socket.



Shown in hand-rubbed antique brass / white



### Specifications

COLOR	White
BODY FINISH	Hand-Rubbed Antique Brass
WATTAGE	60W
DIMMER	Standard 120V
DIMENSIONS	4.75"W x 12.5"H x 7.5"D
BULB NOT INCLUDED	1 x A19/Medium (E26)/60W/120V Incandescent



CLICK TO VIEW PRODUCT

Notes: