

Lightology

lightology.com
866-954-4489
04-25-26

Project: _____

Company: _____

Location: _____ Fixture Type: _____

SPEC #: **VCG1237712**

Approved On: _____ Approved By: _____

Boston Desk Glass Pendant

By Visual Comfort Signature

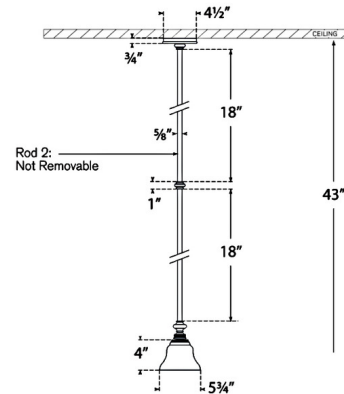


Description

The Boston Desk Glass Pendant brings a simple, effortless look to your interior space. The industrial frame is softened with a desk glass shade, that casts warm shadows across your room.



Shown in antique nickel / white glass



Specifications

COLOR	White Glass
BODY FINISH	Antique Nickel
WATTAGE	100W
DIMMER	Standard 120V
DIMENSIONS	5.75"W x 44.5"H
BULB NOT INCLUDED	1 x A19/Medium (E26)/100W/120V Incandescent
OTHER BULB OPTIONS	1 x A19/Medium (E26)/120V LED



CLICK TO VIEW PRODUCT

Notes: