

Lightology

lightology.com
866-954-4489
05-24-26

Project: _____

Company: _____

Location: _____ Fixture Type: _____

SPEC #: **VCG1237717**

Approved On: _____ Approved By: _____

Boston Slant Glass Pendant

By Visual Comfort Signature

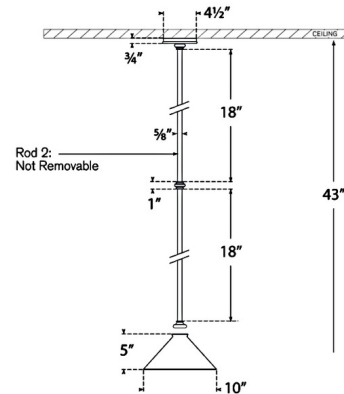


Description

The Boston Slant Glass Pendant brings a simple, effortless look to your interior space. The industrial frame is softened with a slanted glass shade, that casts warm shadows across your room.



Shown in hand-rubbed antique brass / white glass



Specifications

COLOR	White Glass
BODY FINISH	Hand-Rubbed Antique Brass
WATTAGE	100W
DIMMER	Standard 120V
DIMENSIONS	10"W x 5"H
BULB NOT INCLUDED	1 x A19/Medium (E26)/100W/120V Incandescent
OTHER BULB OPTIONS	1 x A19/Medium (E26)/120V LED



CLICK TO VIEW PRODUCT

Notes: