

Lightology

lightology.com
866-954-4489
06-04-26

Project: _____
 Company: _____
 Location: _____ Fixture Type: _____
 SPEC #: **VCG1238259**
 Approved On: _____ Approved By: _____

Milton Road Wall Sconce

By Visual Comfort Signature

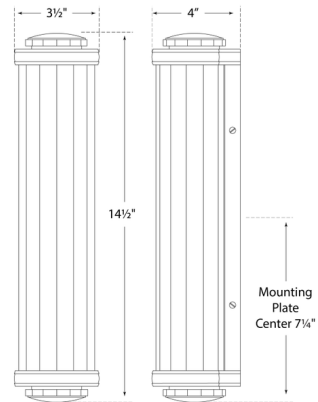


Description

The Milton Road Wall Sconce embodies vintage charm, showcasing a ribbed cylinder shade and end plates with matching ribbed edges. Emitting a pleasant, diffused light, this sconce creates an inviting warmth in any space. Note: Fixture does not cover a standard US junction box and requires a 2 x 4 inch junction box.



Shown in bronze / white



Specifications

COLOR	White
BODY FINISH	Bronze
WATTAGE	80W
DIMMER	Standard 120V
DIMENSIONS	3.5"W x 14.5"H x 4"D
BULB NOT INCLUDED	2 x B10/Medium (E26)/40W/120V Incandescent
OTHER BULB OPTIONS	2 x B10/Medium (E26)/120V LED 2 x B11/Medium (E26)/120V LED



CLICK TO VIEW PRODUCT

Notes: