

Lightology

lightology.com
866-954-4489
07-09-26

Project: _____

Company: _____

Location: _____ Fixture Type: _____

SPEC #: **VCG1238306**

Approved On: _____ Approved By: _____

Henry Pendant

By Visual Comfort Signature

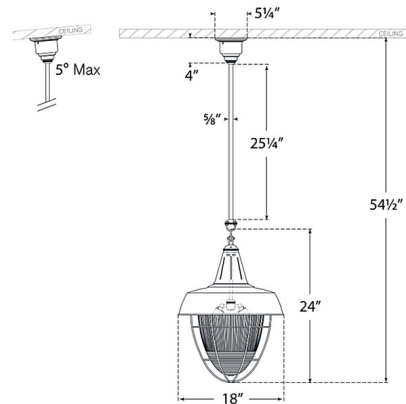


Description

The Henry Pendant brings an industrial vine to your interior space. The acorn shaped cage frame is complemented by ribbed glass that casts warm shadows across your room. Note: Custom Overall Heights are available. For quotes, please contact our sales team.



Shown in hand-rubbed antique brass / china white



Specifications

COLOR	China White
BODY FINISH	Hand-Rubbed Antique Brass
WATTAGE	150W
DIMMER	Standard 120V
DIMENSIONS	18"W x 24"H
BULB NOT INCLUDED	2 x A19/Medium (E26)/75W/120V Incandescent
OTHER BULB OPTIONS	2 x A19/Medium (E26)/120V LED



CLICK TO VIEW PRODUCT

Notes: