

Lightology

lightology.com
866-954-4489
04-25-26

Project: _____

Company: _____

Location: _____ Fixture Type: _____

SPEC #: **VCG1238995**

Approved On: _____ Approved By: _____

Moresby Floor Lamp

By Visual Comfort Signature

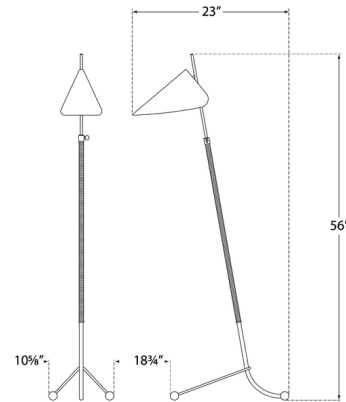


Description

Update your space with a midcentury modern vibe using the distinctive Moresby Floor Lamp. The elongated, slender stem with tripod base supports an angular shade that pivots for aiming the light.



Shown in hand-rubbed antique brass / antique brass



Specifications

COLOR	Antique Brass
BODY FINISH	Hand-Rubbed Antique Brass
WATTAGE	60W
DIMMER	Included
DIMENSIONS	10.625"W x 56"H x 23"D
BULB NOT INCLUDED	1 x A19/Medium (E26)/60W/120V Incandescent
OTHER BULB OPTIONS	1 x A19/Medium (E26)/120V LED



CLICK TO VIEW PRODUCT

Notes: