

Lightology

lightology.com
866-954-4489
04-25-26

Project: _____

Company: _____

Location: _____ Fixture Type: _____

SPEC #: **VCG1239660**

Approved On: _____ Approved By: _____

Strada Ring Chandelier

By Visual Comfort Signature



Description

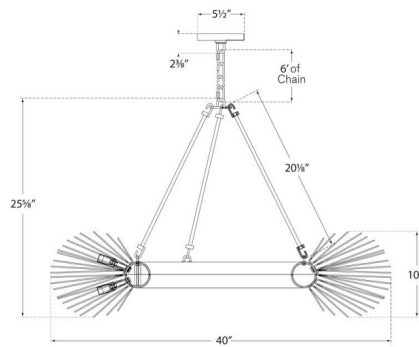
Paying homage to vibrant organic forms and sleek metal, the Strada Ring Chandelier is a delicate sculpture of radiating metal quills. Lights shining from within the quills cast a striated glow, creating a dynamic play of light and shadows. This piece makes a striking modern design statement in any space, whether placed in an entryway, dining room, or living room. Note: Due to the weight of this fixture, additional ceiling support is required.

Specifications

COLOR	N/A
BODY FINISH	Aged Iron
WATTAGE	640W
DIMMER	Standard 120V
DIMENSIONS	40"W x 25.625"H
BULB NOT INCLUDED	16 x B11/Candelabra (E12)/40W/120V Incandescent
OTHER BULB OPTIONS	16 x B11/Candelabra (E12)/120V LED 16 x C11/Candelabra (E12)/120V LED



Shown in aged iron



CLICK TO VIEW PRODUCT

Notes: