

Lightology

lightology.com
866-954-4489
05-15-26

Project: _____

Company: _____

Location: _____ Fixture Type: _____

SPEC #: **VCG1240085**

Approved On: _____ Approved By: _____

Watson Wall Sconce

By Visual Comfort Signature

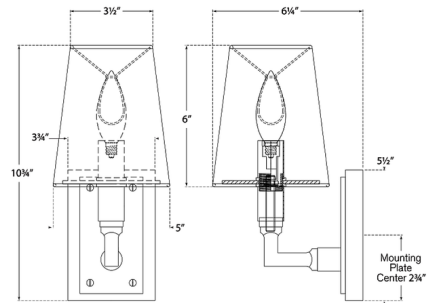


Description

The Watson Wall Sconce embodies modern elegance in its clean metal frame and crisp tapered linen shade. Use it to add a layer of ambient illumination to dining rooms, living rooms, or hallways. Note: Fixture does not cover a standard US junction box and requires a 2 x 4 inch junction box.



Shown in polished nickel / linen



Specifications

COLOR	Linen
BODY FINISH	Polished Nickel
WATTAGE	40W
DIMMER	Standard 120V
DIMENSIONS	5"W x 10.75"H x 6.25"D
BULB NOT INCLUDED	1 x B11/Candelabra (E12)/40W/120V Incandescent
OTHER BULB OPTIONS	1 x B11/Candelabra (E12)/120V LED



CLICK TO VIEW PRODUCT

Notes: