

Lightology

lightology.com
866-954-4489
04-25-26

Project: _____
 Company: _____
 Location: _____ Fixture Type: _____
 SPEC #: **VCG1241260**
 Approved On: _____ Approved By: _____

Fresno Outdoor Pendant By Visual Comfort Signature



Description

The Fresno Outdoor Pendant brings a clean simplicity to your exterior space. The smooth, clean frame is complemented by clear glass that casts warm light across your area. Note: Rods are not customizable. Note: Custom Overall Heights are available. For quotes, please contact our sales team.

Specifications

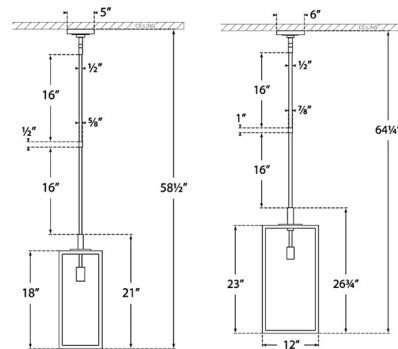
COLOR Clear
 BODY FINISH Aged Iron
 WATTAGE 60W
 DIMMER Standard 120V
 DIMENSIONS 8"W x 21"H
 BULB NOT INCLUDED 1 x T10/Medium (E26)/60W/120V Incandescent
 OTHER BULB OPTIONS 1 x T10/Medium (E26)/120V LED

Technical Information

PRODUCT DIMENSIONS Downrods: Two 16" Included



Shown in aged iron / clear



CLICK TO VIEW PRODUCT

Notes: